

6

5

4

3

2

1

D

D

C

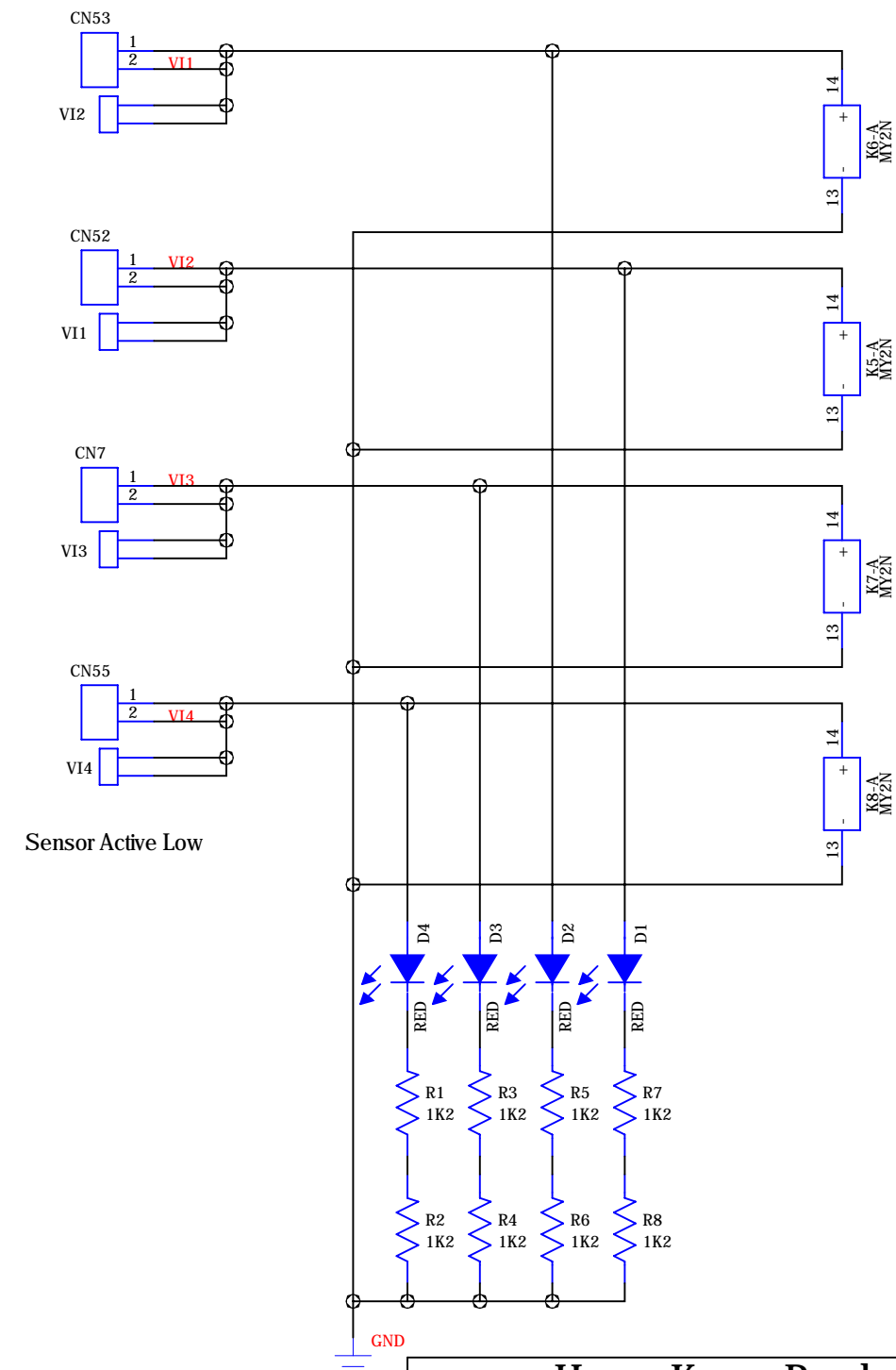
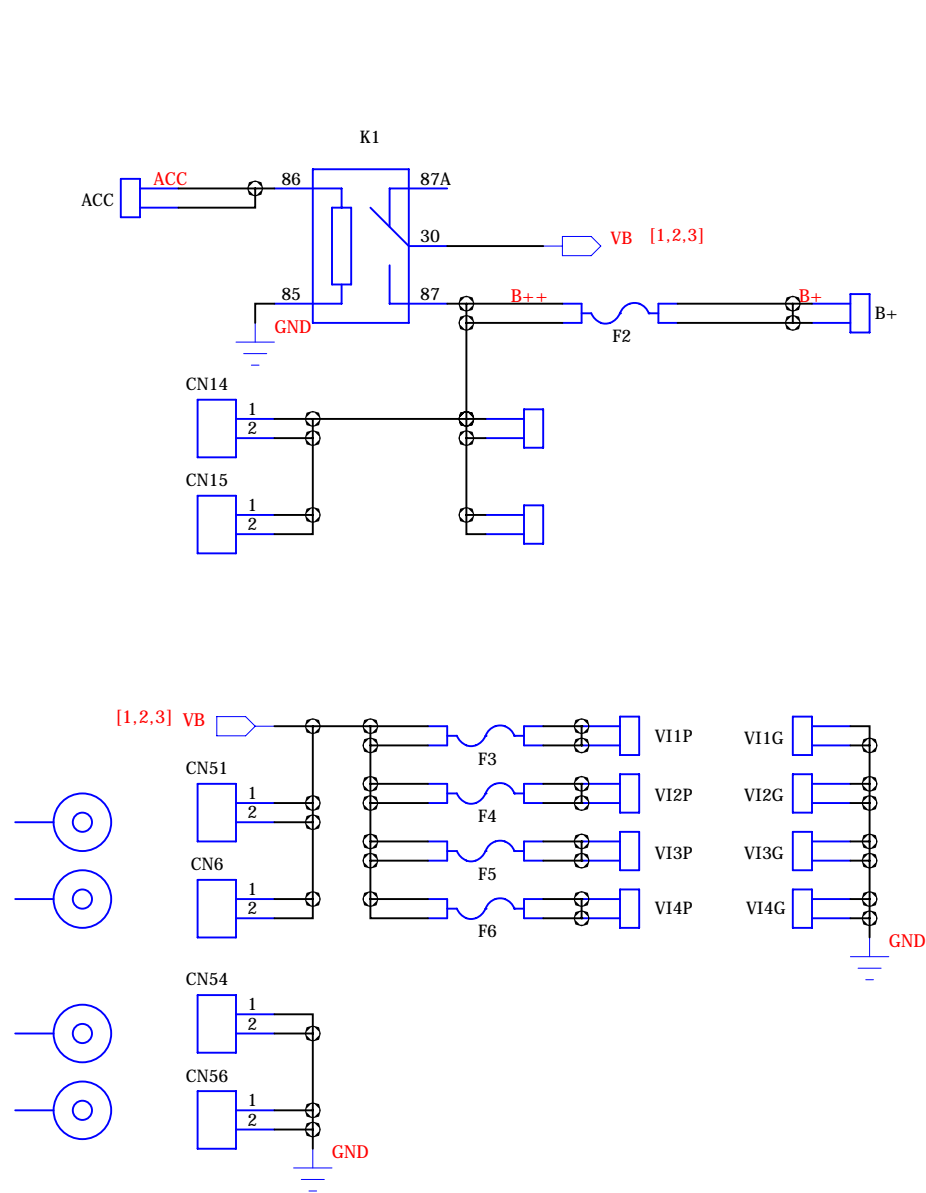
C

B

B

A

A



Sensor Active Low

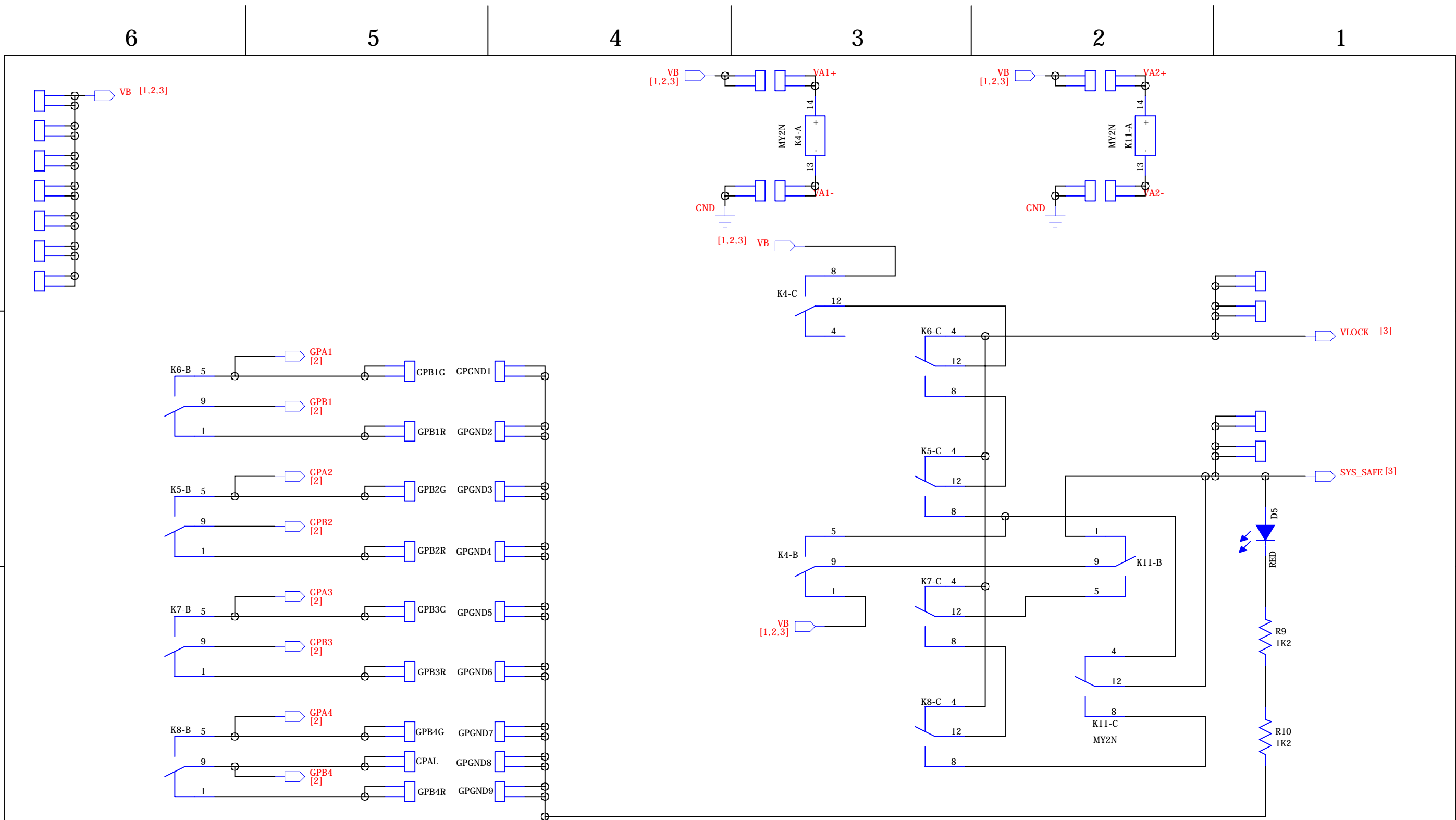
COMPANY: **Hong Kong Productivity Council**
Automotive and Electronics Division (3807)

TITLE: **TS**

SIGNAL_INPUT

| | |
|------------------|--------|
| DRAWN: | DATED: |
| CHECKED: | DATED: |
| QUALITY CONTROL: | DATED: |
| RELEASED: | DATED: |

| | | | |
|--------|-----------|---------------|------------|
| CODE: | SIZE: | DRAWING NO: | REV: |
| | A3 | | V03 |
| SCALE: | | SHEET: 1 of 3 | |



| | |
|------------------|--------|
| DRAWN: | DATED: |
| CHECKED: | DATED: |
| QUALITY CONTROL: | DATED: |
| RELEASED: | DATED: |

| | | | |
|--|-----------|-------------|---------------|
| COMPANY: Hong Kong Productivity Council | | | |
| Automotive and Electronics Division (3807) | | | |
| TITLE: TS | | | |
| SIGNAL_OUTPUT | | | |
| CODE: | SIZE: | DRAWING NO: | REV: |
| | A3 | | V03 |
| SCALE: | | | SHEET: 2 of 3 |

D
C
B
A

D
C
B
A

6

5

4

3

2

1

D

D

C

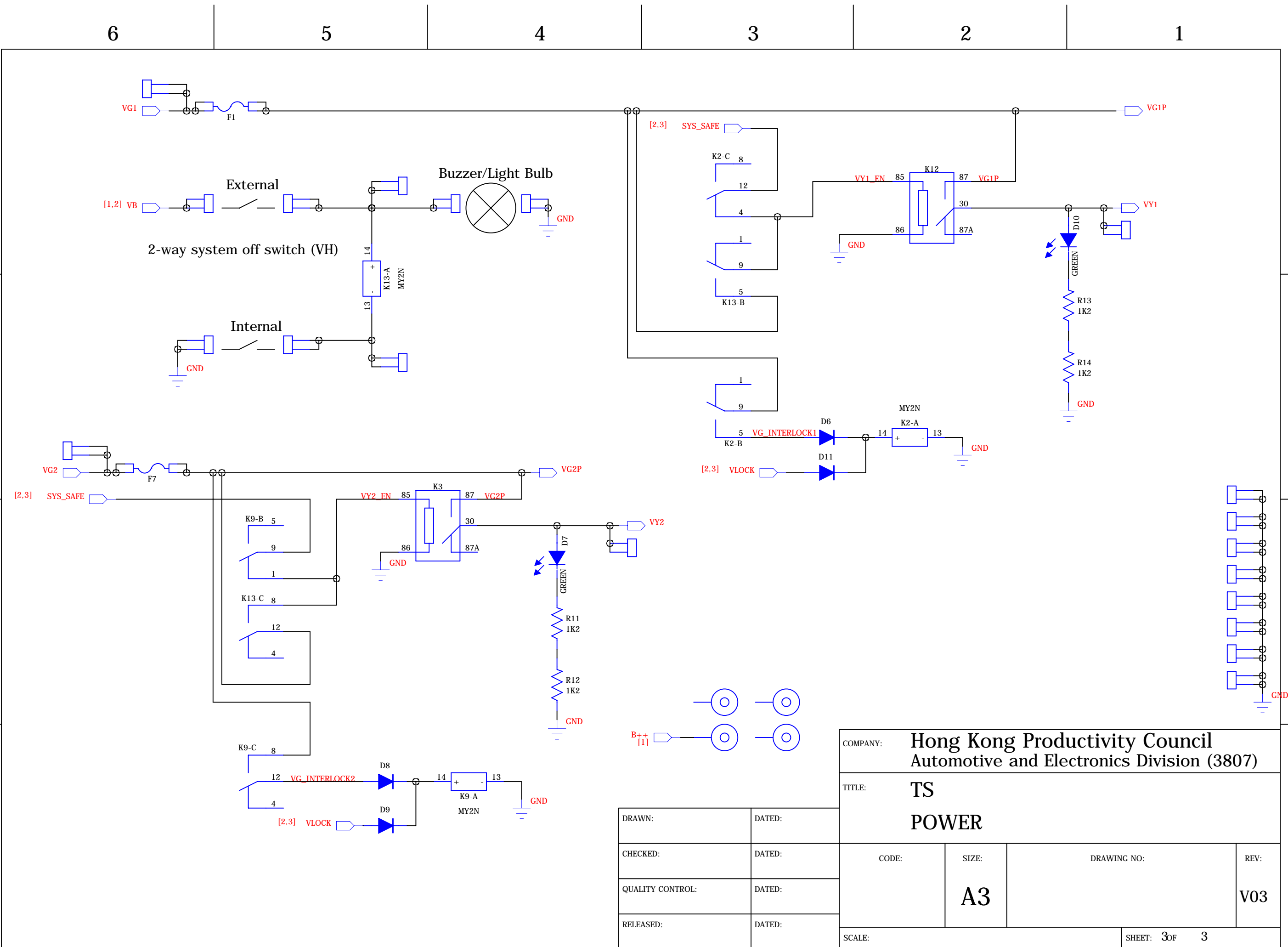
C

B

B

A

A



COMPANY: **Hong Kong Productivity Council**
Automotive and Electronics Division (3807)

TITLE: **TS**
POWER

| | |
|------------------|--------|
| DRAWN: | DATED: |
| CHECKED: | DATED: |
| QUALITY CONTROL: | DATED: |
| RELEASED: | DATED: |

| | | | |
|-------|-----------|-------------|------------|
| CODE: | SIZE: | DRAWING NO: | REV: |
| | A3 | | V03 |